

# MD-SERIES

## MAGNETIC DIMMABLE CLASS 2 LED DRIVER



CLASS 2

24V DC

P/N: MD-40-24

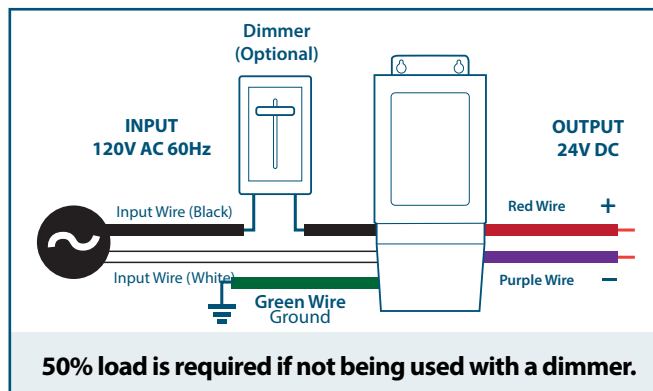


KLUS - MD-40-24 is the most compact LED driver on the market with a magnetic transformer core. It is equipped with two auto-reset breakers, one on the input and one on the output, which protect both the load and driver. The driver is encased in a coated metal box that includes 2 knock-outs, one on each side, to enable easy installation that complies with electrical code requirements.

### QUICK SPECS

Input Voltage	Max Output Power	Output Voltage	Output Current	Efficiency @ Max Load	Power Factor @ Max. Load	Envir. Protection Rating	Weight
120VAC	40W	24VDC	3.96 A	> 82%	> 0.89	NEMA 3R	35oz

### WIRING DIAGRAM

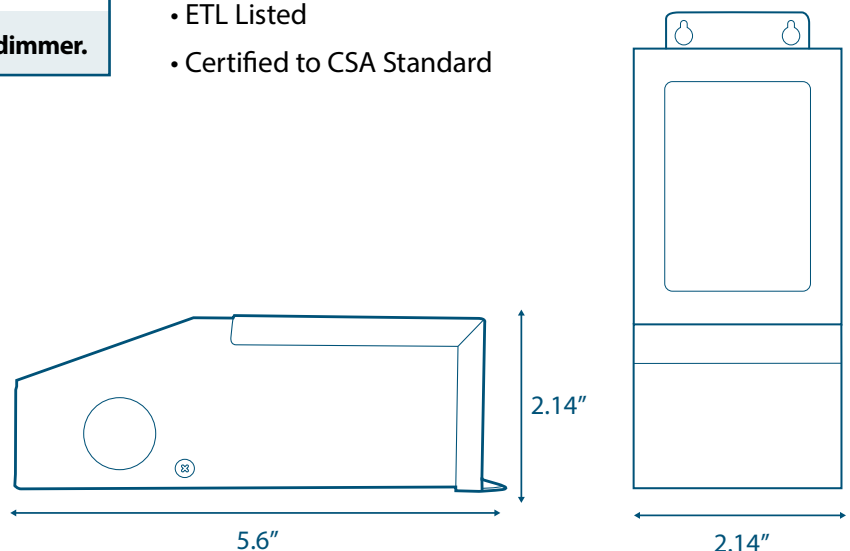


### FEATURES

- Dimmable with any standard MLV/Incandescent TRIAC- (Leading edge) dimmer switch
- Dual protection - primary and secondary auto-reset circuit breakers
- Nema 3R - Outdoor Use
- Two knock-outs one on each side
- Class 2
- ETL Listed
- Certified to CSA Standard

### ENCLOSURE DETAILS In. (mm)

Length	5.6 (142.2)
Width	2.14 (54.3)
Height	2.14 (54.3)



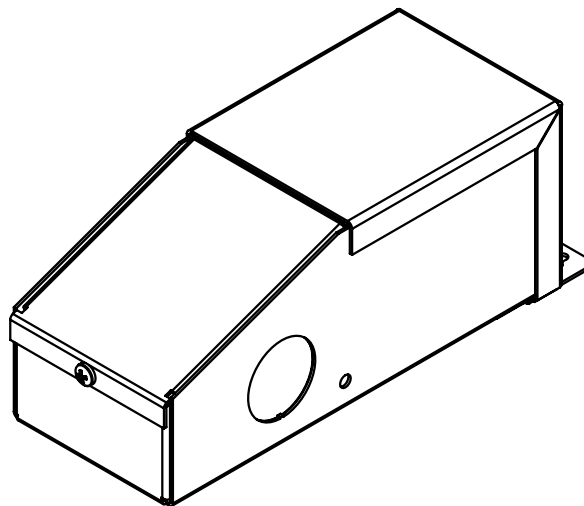
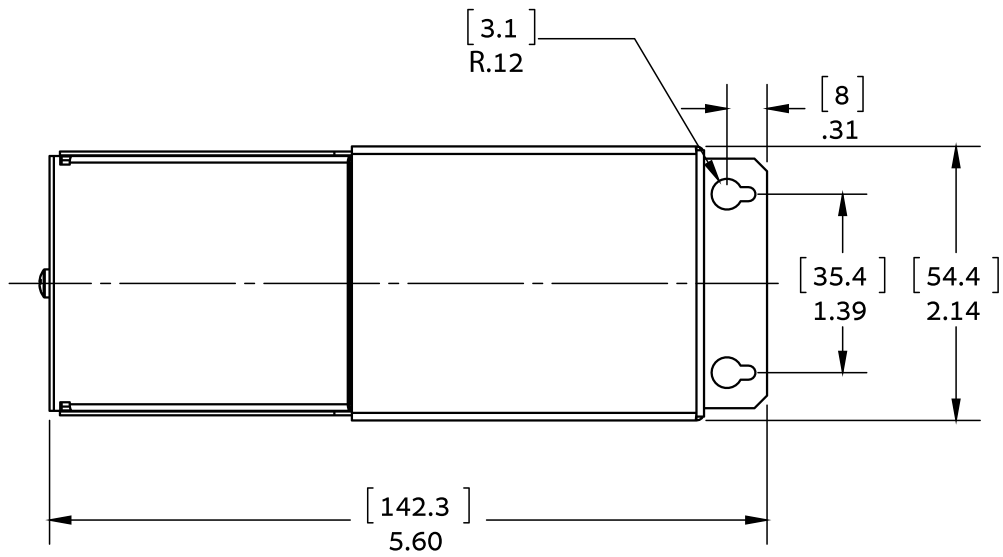
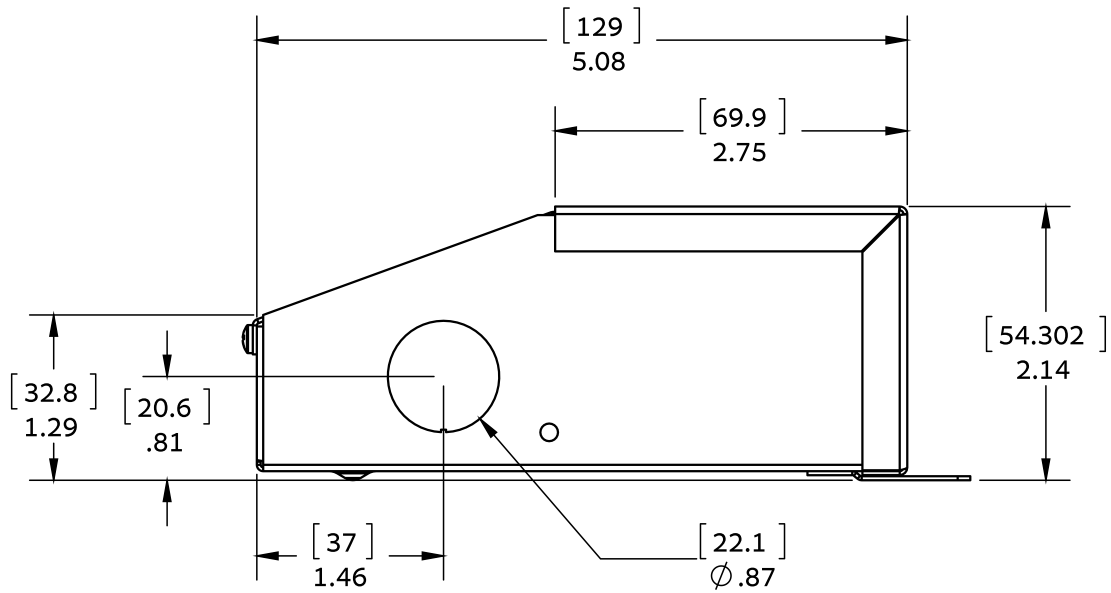
# MD-SERIES MAGNETIC DIMMABLE CLASS 2 LED DRIVER

## SPECIFICATIONS

Input	
Input Voltage	120VAC
Input Current @ Max Load	0.41 A
Power Factor	0.89
Efficiency	> 82%
Output	
Max Load	40W
Output Voltage	23.4VDC
Output Current @ Max Load	1.72 A
Open Circuit Output Voltage	25.7VDC
Coil Former	Double Section Bobbin
Environmental	
Operating Temperature	-30°C - 45°C (-22°F - 113°F)
Min Installation space between drivers	5" Inch
Thermal Class	B130°C
Protections	
Circuit Breaker	Primary and secondary auto-reset
Mechanical & Housing	
Leads Primary	PVC 600V #20
Leads Secondary	PVC 300V #16
Length	5.6" (142.2mm)
Width	2.14" (54.3mm)
Height	2.14" (54.3mm)
Weight	9oz (255grams)
Housing Material	Coated metal
Housing Color	Black
Junction Box	Yes
Mounting	Two Hole flange mounting
Approval Markings	
Certificates / Approval Signs	UL 8750, class 2

# MD-SERIES MAGNETIC DIMMABLE CLASS 2 LED DRIVER

## MECHANICAL DIAGRAM



# MD-SERIES MAGNETIC DIMMABLE CLASS 2 LED DRIVER

